



SHANGHAI ZHENGHONG SENSOR M&C TECHNOLOGY CO.,LTD

ZPT540 Autos pressure transducer

Features& Application



ZPT540
Autos pressure transducer

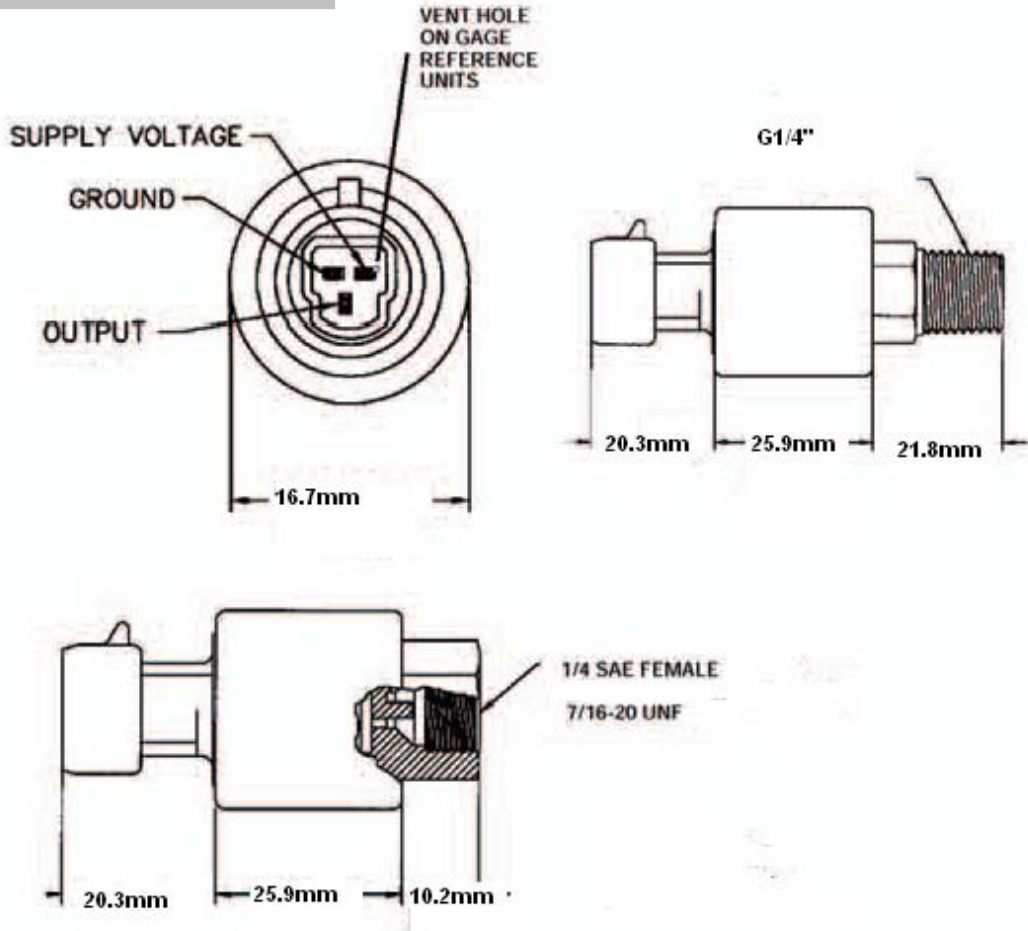
- High Strength Stainless Steel Construction
- No Silicone Oil or Internal "O" rings
- Wide Operating Temperature Range
- Ranges up to 10,000 psi
- Low Static and Thermal Errors
- Unparalleled Price and Performance
- Rugged Design Survives Harsh Environments
- Compatible with Wide Range of Gases and Liquids
- Suitable for High Shock and Vibration

The ZPT540 is a low cost, high quality all stainless steel media isolated Pressure Transmitter intended for use in the measurement of gases and liquids compatible with stainless steel. It is suitable for automotive, industrial, refrigeration, hydraulics, offload, construction and agriculture applications. It has been designed specifically for the applications with demanding price and performance requirements. The competitively priced ZPT540 offers a choice of high level outputs.

Specification

Pressure Range: -1bar~600bar
Power supply: 12-36VDC, 5VDC
Output: 4-20mA, 0.5/4.5V
Operating conditions: -40°C~125°C
Linearity: $\pm 0.5\%$ FS, $\pm 1.0\%$ FS max.
Precision: $\pm 1.2\%$ FS, $\pm 1.0\%$ FS, $\pm 0.5\%$ FS
Temperature error: $\pm 0.013\%$ /°C
Environmental pollution level: Normal
Response time: ≥ 10 ms
Overvoltage protection: 16Vdc
Electrical connection: Packard
Connector temperature range : -35-105°C
Precision: $\pm 1.0\%$ FS, $\pm 0.5\%$ FS

Specification



Ordering Guide

Example: ZPT540-100PSIG4/20mA-G1/4"